



DIGITAL SCREEN INTELLINGENT STORAGE LITHIUM BATTERY – CYLINDRICAL BATTERY

Model: CNLFP100-12-DS

ON: 302150036-00001 WTT32700

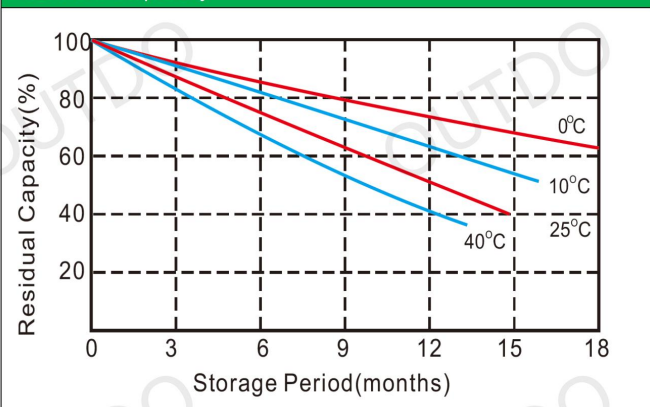
Container color	Black C
-----------------	---------



Parameter chart

Volts	12.8	V
Capacity	10 hours rate 10.20 A	102 Ah
Internal Resistance	Full Charged Battery 25°C	≤ 30 mΩ
Capacity Affected By Temperature	60°C	≥ 98%
	25°C	≥ 100%
	0°C	≥ 75%
	-10°C	≥ 50%
Residual Capacity (25°C)	Capacity After 3 Months Storage	≥ 87%
	Capacity After 6 Months Storage	≥ 74%
	Capacity After 12 Months Storage	≥ 50%
Charge(Constant Voltage)25°C	Standard Current 0.2C	20.4 A
	Max.Current 0.5C	51 A
	Max.Voltage	14.4 ~ 14.6 V
Discharge Current (25°C)	Standard Current 0.25C	25.5 A
	Max.Current	60 A
Weight (Approx)	11.7	KG

Residual Capacity



Constant Current Discharge Characteristics (A, 25°C)

H/V/A	1.7	3	5	8	10	15	20	30
	9.2	60	34	20.4	12.75	10.2	6.8	5.1
								3.4

Constant Power Discharge Characteristics (Watt, 25 °C)

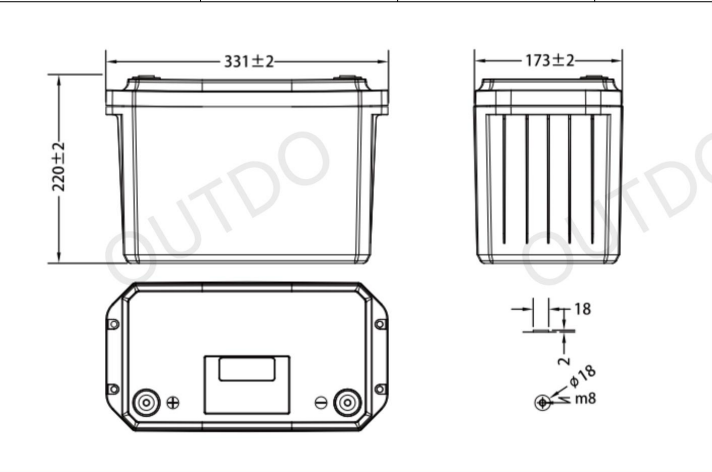
H/V/W	1.7	3	5	8	10	15	20	30
	9.2	768	435.2	261.1	163.2	130.6	87.04	65.28
								43.52

Capacity Factors With Different Temperature

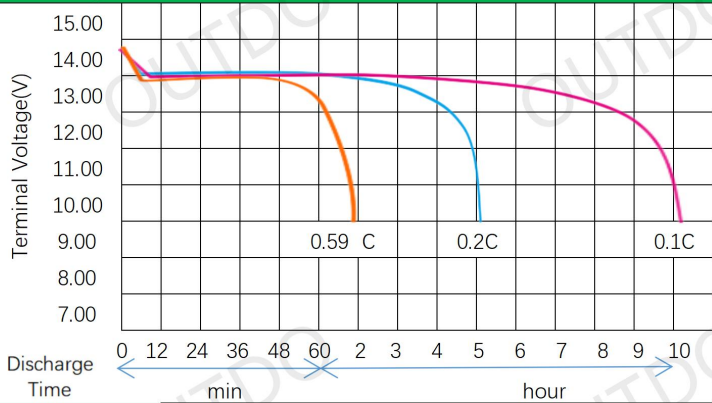
Discharge	-20°	-10°	0°	5°	10°	15°	20°	25°	30°	40°	60°
	30%	50%	75%	85%	90%	99%	100%	100%	100%	99%	98%

★ The above are average and data obtained from the first 3 charge/discharge cycles. These are not minimum values.

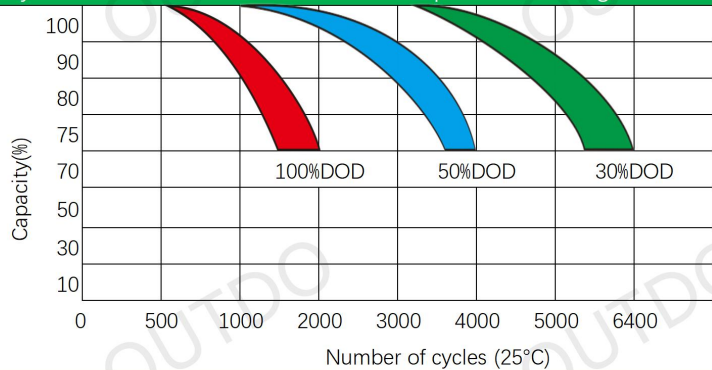
Plane chart	Unit:(mm)	Terminal type	LC4
-------------	-----------	---------------	-----



Discharge Current 25°C



Cycle service life in relation to the depth of discharge



Constant voltage charging characteristics

